

Hubbell-PRO 30 & 60A Motor Disconnects

HUBBELL

Features

- UL 508 / UL 60947-4-1
- 30 & 60A Options
- HP Rated
- Type 4X, 12
- Accepts up to 2 Auxiliary Contacts
- OSHA Compliant LO/TO Handle
- Compact, Installation Friendly Enclosure
- Unable to Open the Cover when ON Position;
Cover Locked when Energized



Ordering Information

Catalog Number	Amps	Description	HP Rating			NO & NC Aux Contacts*	2 NO Aux Contacts*
			240 3ØVAC	480 3ØVAC	600 3ØVAC		
MD30	30 Amp	Disconnect Enclosure	7.5	15	15	MDAC2	MDAC2NO
MD30XL	30 Amp	XL Disconnect Enclosure	7.5	15	15	MDAC2	MDAC2NO
MD60	60 Amp	Disconnect Enclosure	20	40	40	MDAC2	MDAC2NO

*Break before main action

30 Amp Accessories

30 Amp	Catalog Number
Ground Module	MDGB
Neutral Pole	MDNB
30A Additional Pole	MD4P

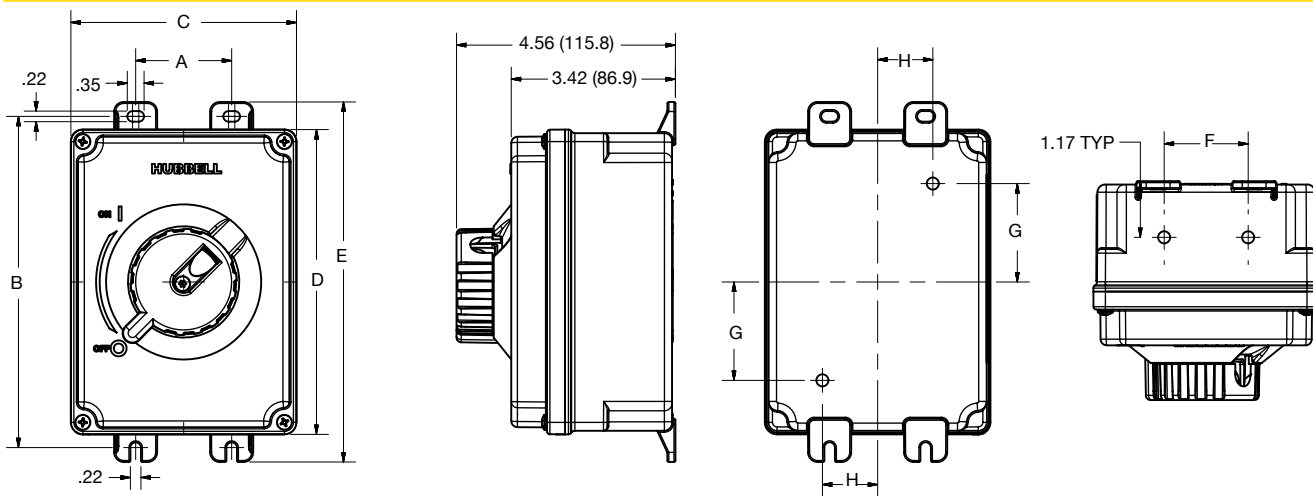
60 Amp Accessories

60 Amp	Catalog Number
Ground Module	MD60GB
Neutral Pole	MD60NB

Materials

Cover	Polycarbonate
Base	Polycarbonate
Handle	Polycarbonate
Assy. Screws	Stainless Steel

Dimensions Inches (mm)



Catalog Number	A	B	C	D	E	F	G	H
MD30	2.00 (51)	7.00 (178)	4.70 (119)	6.35 (161)	7.50 (191)	1.75 (44.5)	2.05 (52)	1.15 (29)
MD30XL, MD60	3.50 (89)	9.50 (241)	6.00 (152)	8.90 (226)	10.00 (254)	2.25 (57)	3.00 (76)	1.50 (38)

HUBBELL[®]
Wiring Device-Kellems

